



## Installation Instructions

**D660-0093 & D660-0093-BLK**

**G8X M3/M4**

**AXLE BACK EXHAUST SYSTEM**

**Document Revision: C**

**Release Date: 2/5/2024**

### Table of Contents

PARTS LIST .....	2
REMOVAL OF STOCK SYSTEM .....	3
VALVE-ACTUATOR INSTALLATION .....	6
DINAN EXHAUST INSTALLATION.....	8

Thank you for being selective enough to choose a Dinan Performance Exhaust System. The Dinan Engineering Team has spent many hours developing this product to assure that you will receive maximum benefits for a more aggressive sounding system, increased performance, durability and an aesthetic design that you as a customer will be able to enjoy for many years. Ease of installation and maintenance is important to us and has been highly considered throughout the design process.

Prior to performing the installation, familiarize yourself with these instructions as it should help you with the process. If you feel that you do not have the required skills or tools, please arrange for a qualified repair facility to perform the installation.

If you have any difficulties during the installation, or if these instructions are not clear to you, please call Dinan's Technical Support Staff at (800) 341-5480.

Again, thank you for choosing Dinan. Enjoy.

## PARTS LIST

### Box Contents

Dinan Part Number	Description	QTY
D662-0675	Assy, Rear Muffler	1
D662-0671	Assy, Right Tube	1
D662-0672	Assy, Left Tube	1
D663-0373	Hardware Kit	1
D663-0639 OR	Exhaust Tips, Polished OR	4
D663-0640	Exhaust Tips, Black	4

### Kit Contents

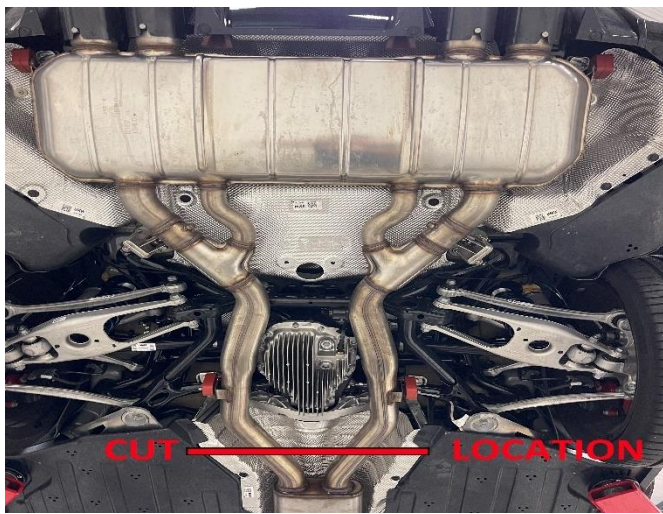
Dinan Part Number	Description	QTY
D671-0377	M6x12 button head	4
D671-0378	M6x16 button head	2
M6 FLAT	M6 flat washer	18
M6 WAVE	M6 wave washer	6
D662-0665	D76 limiter	2
D502121	Tie Strap	4
D662-0677	Extension Harness	2
D662-9249	3" Band Clamp	4
D662-9241	2.75" Torca Coupler	2
D662-9242	3" Torca Clamp	2
D661-0031	Spring	2
D661-0032	Heat Shield	2
D662-0433	Valve Mount	2
D671-0189	M6 Locknut	6
D671-0193	M6x20 Socket Head	6

## REMOVAL OF STOCK SYSTEM



### STEP 1:

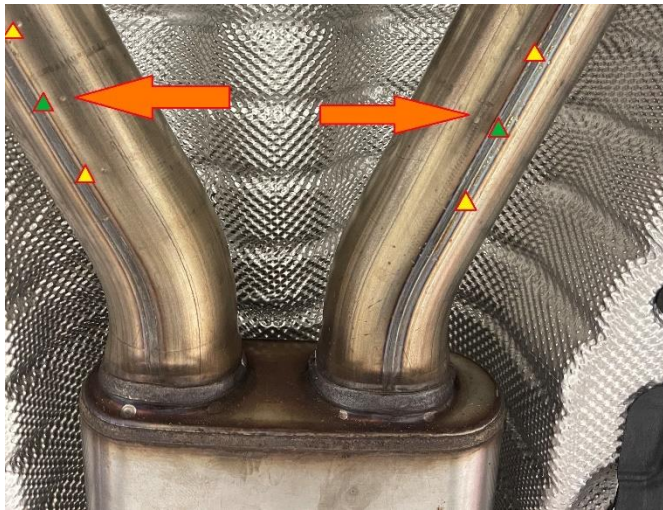
Unplug the connector from the valve motor on both the passenger and driver side of the stock exhaust



### STEP 2:

The following steps include removal of the rear silencer (2)

The front silencer (1) will remain on the vehicle



**STEP 3:**

Locate the cut point. There are dimples marked at 3 separate locations on each tube. These can be seen just aft of the most rear silencer

You will be cutting at the CENTER punch mark as shown.

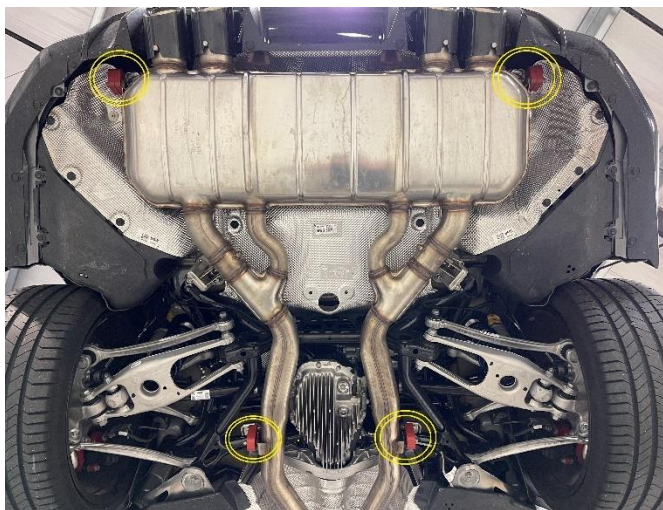
Protect the rear silencer from falling



**STEP 4:**

Cut through exhaust pipes at the center punch mark point with a suitable tool

Ensure the cuts are perpendicular to the pipes



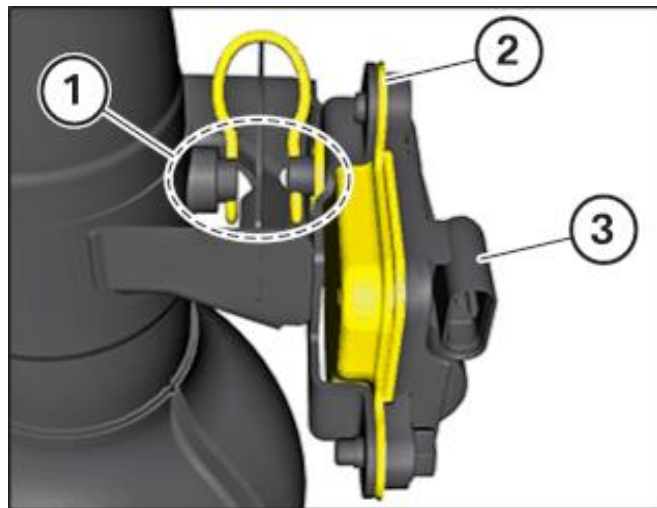
**STEP 5:**

Locate the 4 rubber hangers

**STEP 6:**

Remove the 4 rubber hanger mounts from the stock silencer

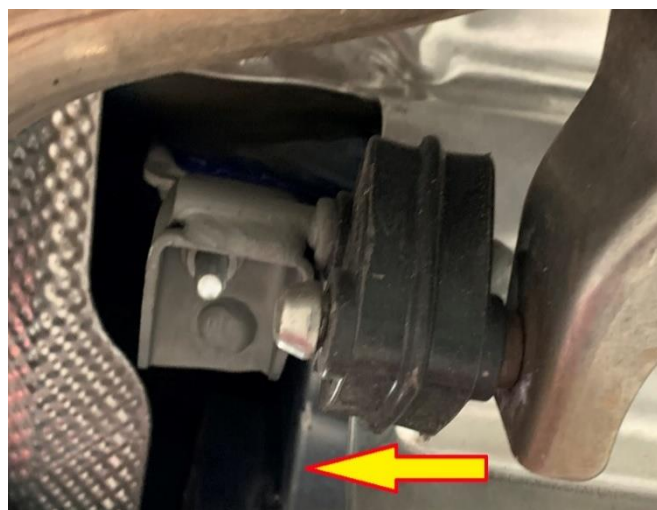
This will drop the exhaust from the vehicle. A stand or 2<sup>nd</sup> person is recommended to help lower the system from the vehicle.

**STEP 7:**

Loosen and remove the screws holding on the actuator motor

Remove the spring (1), actuator heat shield (2) and actuator motor (3) from both sides of silencer

These motor (3) will be re-used

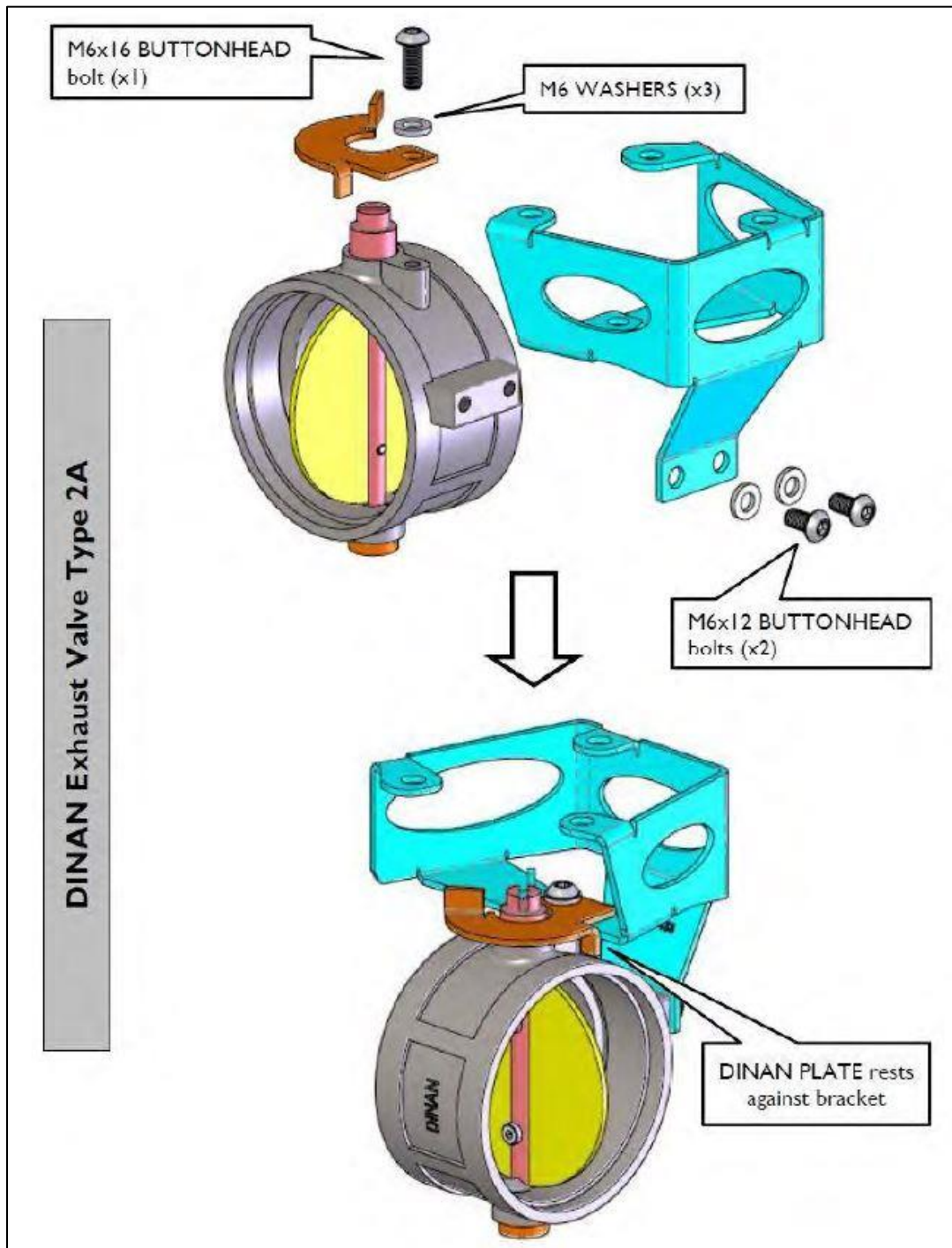
**STEP 8:**

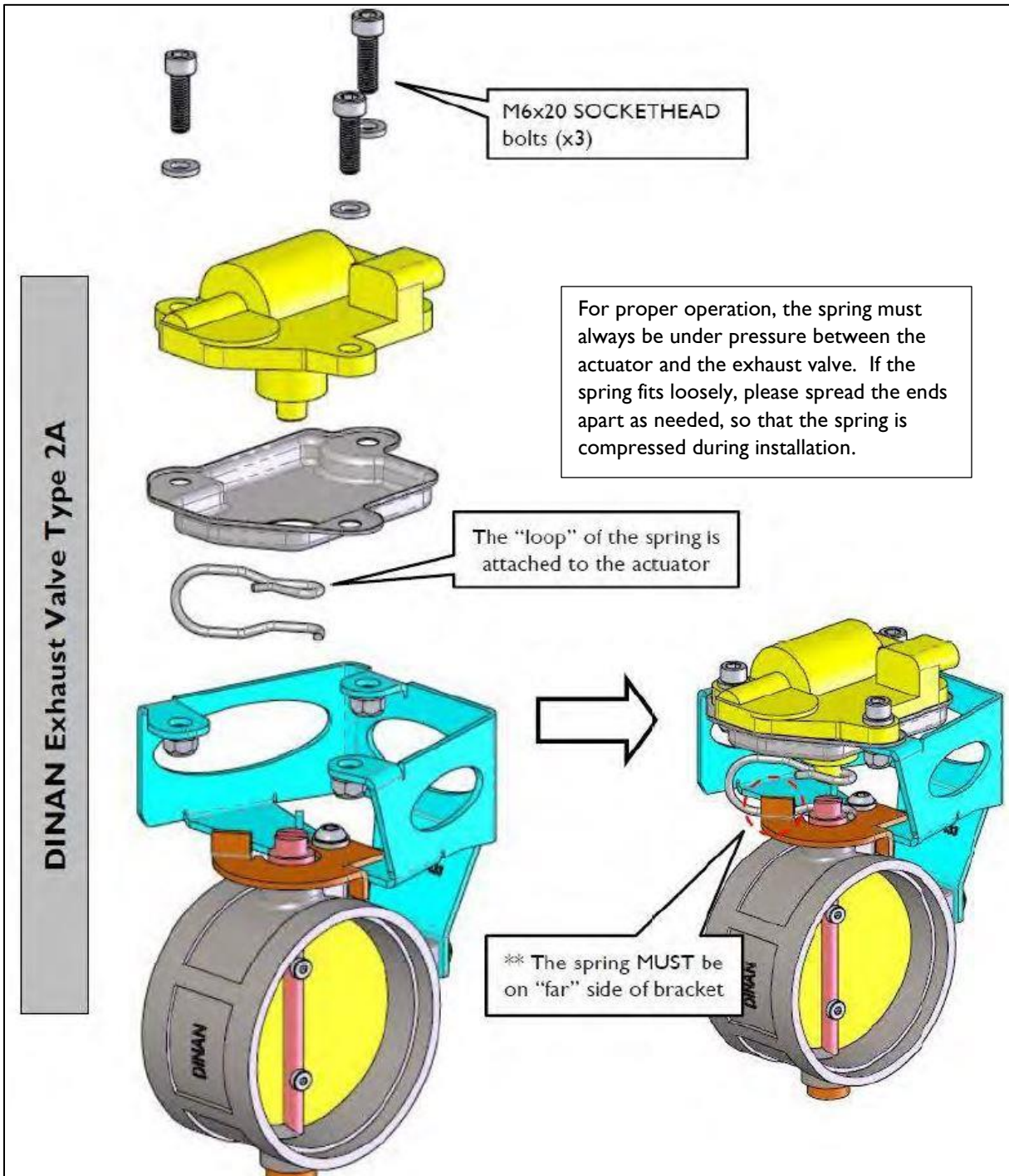
Remove the 4 rubber hanger mounts from the stock silencer

It is recommended that each one is immediately transferred to the Dinan exhaust system to ensure proper location and orientation

## VALVE-ACTUATOR INSTALLATION

Following the diagrams below, attach the actuators, brackets, and springs to the Dinan exhaust valves using the provided hardware.





## DINAN EXHAUST INSTALLATION

**STEP 1:**

As noted in the final removal step:

Slide all rubber hangers onto the Dinan Exhaust system in the proper orientation.

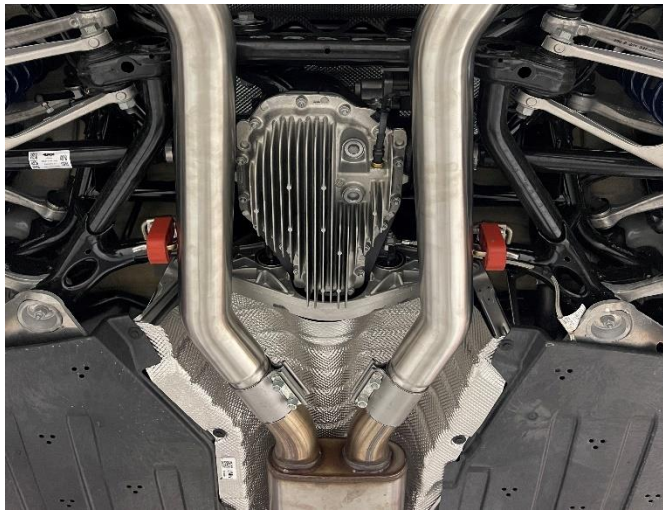
There are 4 total:

- 1 for each inlet tube
- 2 for the axle back muffler section

**STEP 2:**

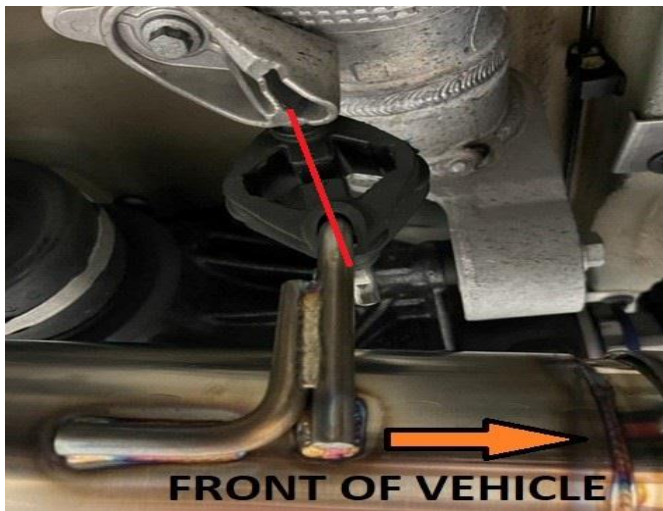
Slide the 2.75" double wide clamps onto the stock mid-section pipes in orientation shown



**STEP 3:**

Slide the left and right inlet tube into the double wide clamps. Do not tighten in this step.

Properly seat hangers and tighten with nut to the vehicle.

**STEP 4:**

Once hanger plates are tightened to vehicle, adjust pipe so the rubber hanger is angled towards the front of the vehicle as shown.

Repeat for both sides.

Only snug tight the clamps, as adjustment in the pipes may be needed to properly align the muffler assembly section.

**STEP 5:**

Place 3" double wide clamps onto the muffler assembly front pipes, 2 sides.

While holding muffler assembly in place, slide clamps over previously installed inlet pipes. The clamps shall split the difference between the pipes of the inlet tubes and muffler assembly.

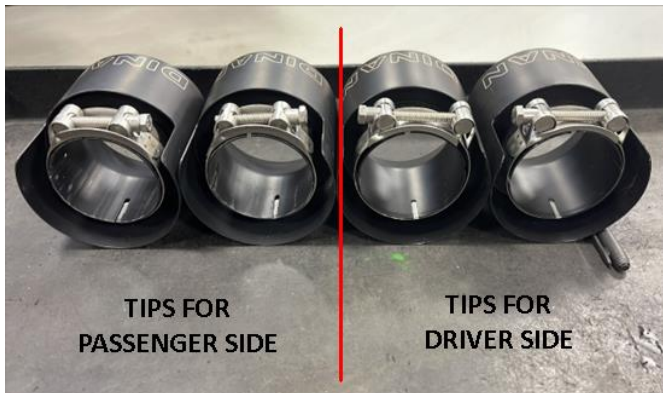
Do not tighten the clamps at this time as adjustment is needed.

**STEP 6:**

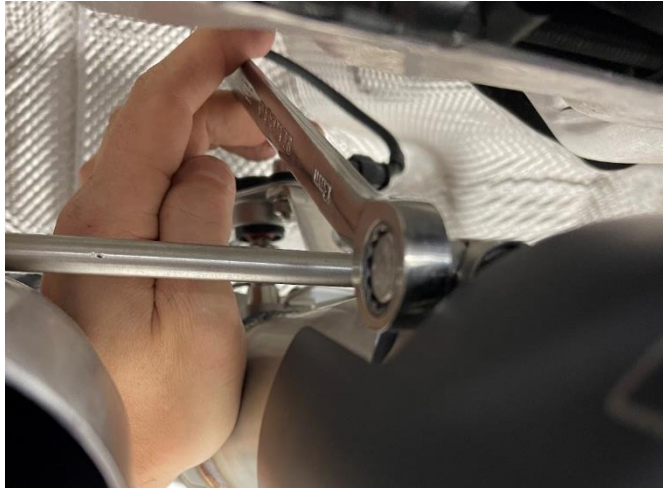
Position the muffler section into place and secure hangers to vehicle.

**STEP 7:**

When installing the exhaust tips, a 13mm ratcheting wrench (or equivalent) is recommended.

**STEP 8:**

Assemble the 3" single-wide clamps to the exhaust tips. Please orient the bolt heads toward the centerline of the car as shown. This arrangement will be helpful in the following steps.



**STEP 9:**

**NOTE – For ease of access, it is recommended to install the outer exhaust tips before the inner exhaust tips.**

Slide the outer exhaust tips into place. The CENTER 'N' in DINAN shall be pointing straight up.

Using the 13mm wrench, snug the clamp as shown. Do not fully tighten at this time.



**STEP 10:**

Slide the inner exhaust tips into place. The CENTER 'N' in DINAN shall be pointing straight up.

Using the 13mm wrench, snug the clamp as shown. Do not fully tighten at this time.



**STEP 11:**

Ensure the tips are parallel to each other. Also verify that the CENTER 'N' in DINAN shall be pointing straight up.

**It is recommended that the tips be offset to each other 1/8"-1/4". See next step.**

Tighten clamps of tips to 15 ft-lbs once desired positioning of tips is achieved.

**STEP 12:**

Notice how the tips sit and are positioned in the vehicle. If one side is higher than the other, rotation of inlet tube will help level out the tips.

Have an assistant push the exhaust system towards the front of the car and also upward. This may press the tips into the bumper slightly.

Tighten all 4 pipe clamps and let system rest.

**ALL HANGERS SHALL BE ANGLED TOWARDS THE FRONT OF THE AS SHOWN.**

**STEP 13:**

There are 2 wire extension harnesses that need to be installed.

The picture shown here is of the original connector.

Connect each extension harness to each original connector.

**STEP 14:**

Loosen the heat shield panel and feed the extension harness through as shown in this location.

Allow some slack when plugging into the motor.

The remaining harness will sit in the inside cavity of the heat shield.

Use provided zip ties for cable management.



**FINAL STEP AND CHECK:**

1. ENSURE PROPER POSITION OF EXHAUST TIPS
2. ENSURE ALL PIPES HAVE CLEARANCE
3. ENSURE MOTORS ARE PLUGGED INTO WIRE HARNESSSES
4. ADJUSTMENT MAY BE NEEDED ON TIPS AND SYSTEM IF DESIRED PLACEMENT IS NOT TO YOUR LIKING.
5. **ENJOY**