



## INSTALLATION INSTRUCTIONS

PART NUMBER D440-0010

APPLICATION: 2011-18 BMW N20, N26, & N55 vehicles

---

### PARTS LIST

Qty	Part #	Description
1	D443-0100	DINANTronics SPORT Module; Black
3		Zip ties

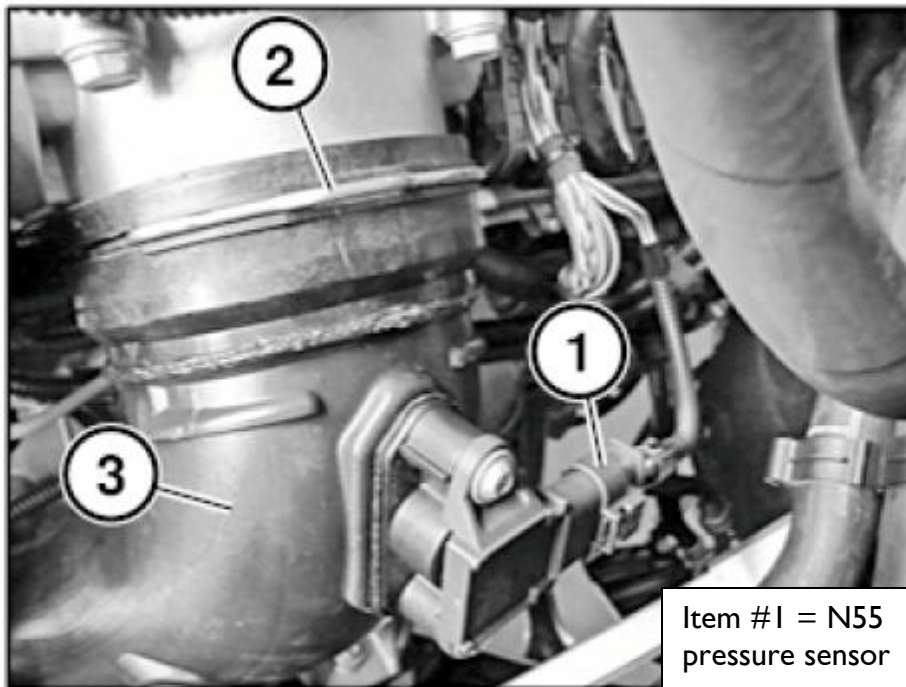
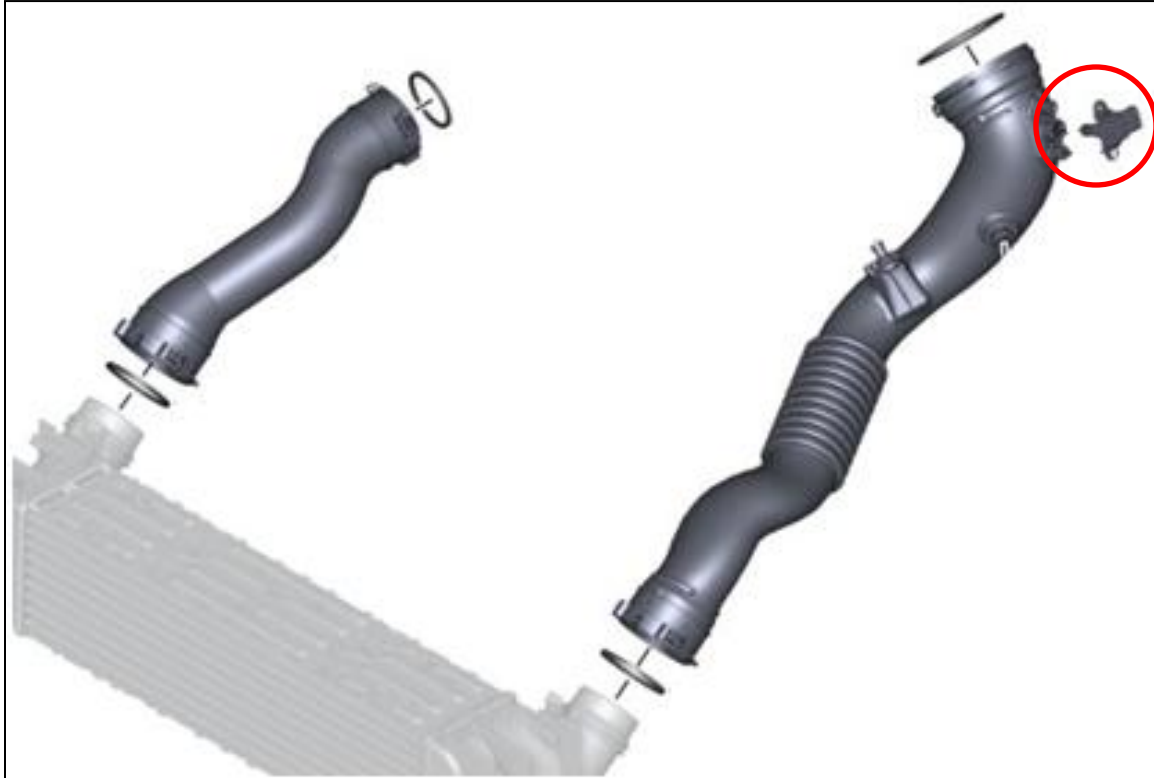
---

Congratulations for being selective enough to use DINANTronics SPORT Performance Tuner. We have spent many hours developing this kit to assure that you will receive maximum performance and durability with minimum difficulty in installation. Please take the time to read these instructions and call us if you have any difficulties during the installation.

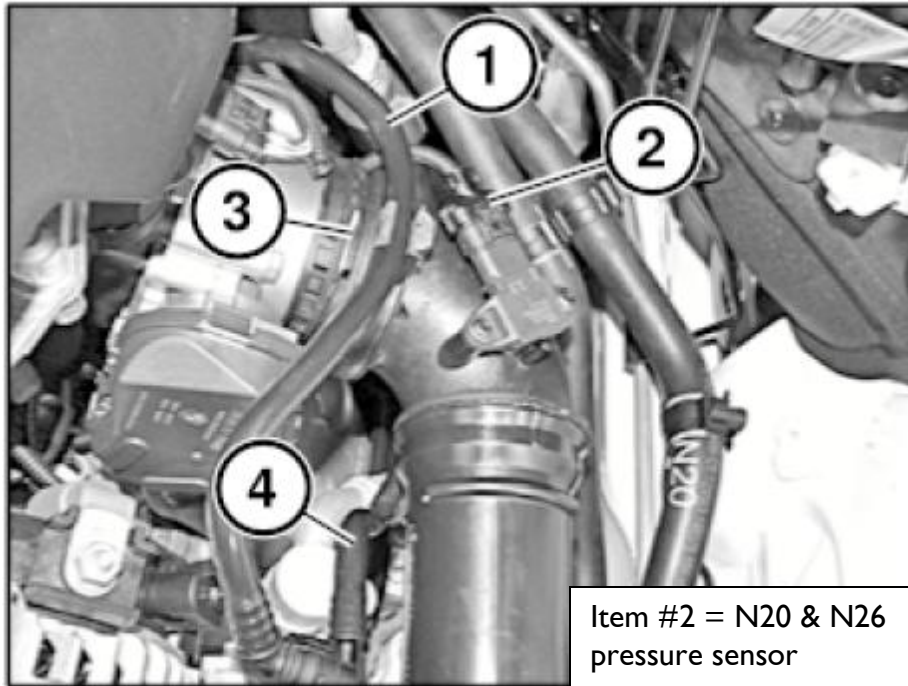
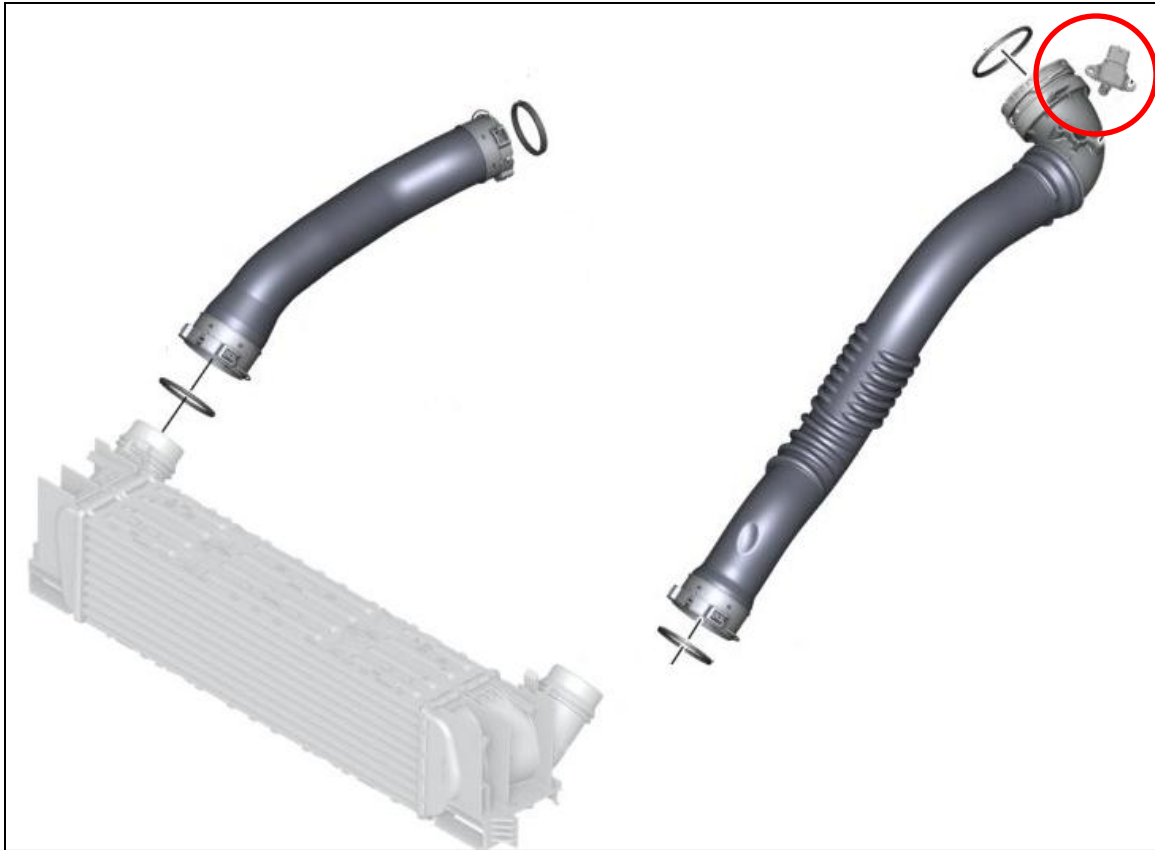
### INSTALLATION:

1. Make sure ignition is OFF.
2. The DINANTronics SPORT ICP module is identified with a MAC address. Please note the last 4 characters. This will be needed by the optional smart phone app to establish a connection. The app allows live boost monitoring, as well as the ability to switch performance modes. The app is not needed to realize performance gains from DINANTronics SPORT.

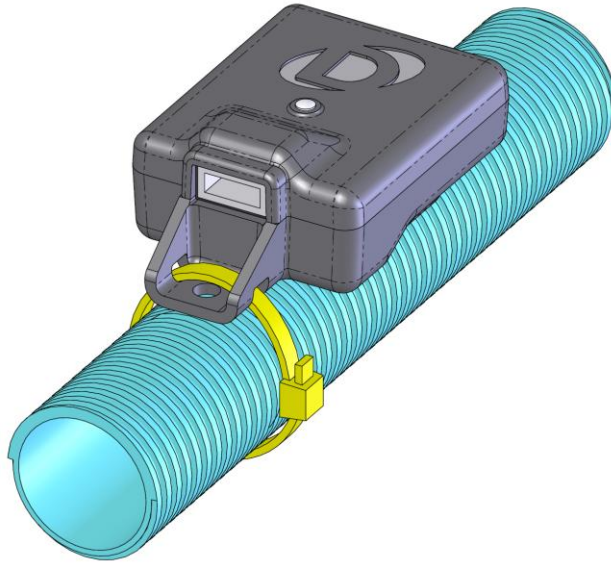
3. Remove the engine cover if needed. Identify the pressure sensor mounted to the intake charge pipe.
  - The intake charge pipe runs from the intercooler exit, to the intake manifold.
  - The pressure sensor will have a connector that is identical the ones on the DINANTronics SPORT module.
  - See diagrams below for the sensor location on your vehicle



**N20 & N26 (2.0L 4-cylinder) engines only**



4. Disconnect the wiring harness from the pressure sensor.
5. Install the DINANTronics SPORT module in between the sensor, and the wiring harness. The connectors can only be installed one way. Make sure that the locking tangs on both connections are secure.
6. Using the included zip-ties, mount the module in a secure location, away from any moving engine components. Please note the following precautions:
  - DO NOT route the zip-tie over the harness at the SPORT module, as this could stress the internal circuit board and damage the module! Only insert a zip-tie thru the slots on the SPORT module as shown below.



- Also ensure adequate slack in the wiring harness to allow for engine movement.
  - It is best to orient the module vertically, with the wiring pointing downward.
7. Turn on the ignition, but do not start the engine. The LED on the module will illuminate.
  8. The module has 5 settings -- in order of increasing performance, they are: VALET, STOCK, SPORT, SPORT+, and RACE. The modules are shipped in SPORT+ mode. The setting can be changed with the DINANTronics SPORT app (available from iTunes or the Google Play store).
  9. Connect to your phone or tablet to your module using the app. Note that your device must be equipped with Bluetooth version 4.0.  
  
\*\* If you experience issues with Bluetooth communication, you may wish to relocate the SPORT module closer to the passenger compartment, and/or further away from sources of electrical noise, such as the alternator and electric fans.
  10. Adjust module for the desired level of performance. Your setting will be retained, so adjustment is not necessary at each engine start.



11. Enjoy!