

Thank you for being selective enough to choose a Dinan Performance Exhaust System. The Dinan Team has spent many hours developing this product to assure that you will receive increased performance, durability and an aesthetic design that you as a customer will be able to enjoy for many years. Ease of installation and maintenance is important to us and has been highly considered throughout the design process.

Prior to performing the installation, familiarize yourself with these instructions, as it should help you with the process. If you feel that you do not have the required skills or tools, please arrange for a qualified repair facility to perform the installation.

If you have any difficulties during the installation, or if these instructions are not clear to you, please call Dinan's Technical Support Staff at (800) 341-5480.

Again, thank you for choosing Dinan. Enjoy.

Installation Instructions

D660-0086(-BLK) EXHAUST SYSTEM

Vehicle Application List:

2020 F97 X3 M
2020 F98 X4 M

Document Revision: C
Release Date: 7/29/2020

Table of Contents:

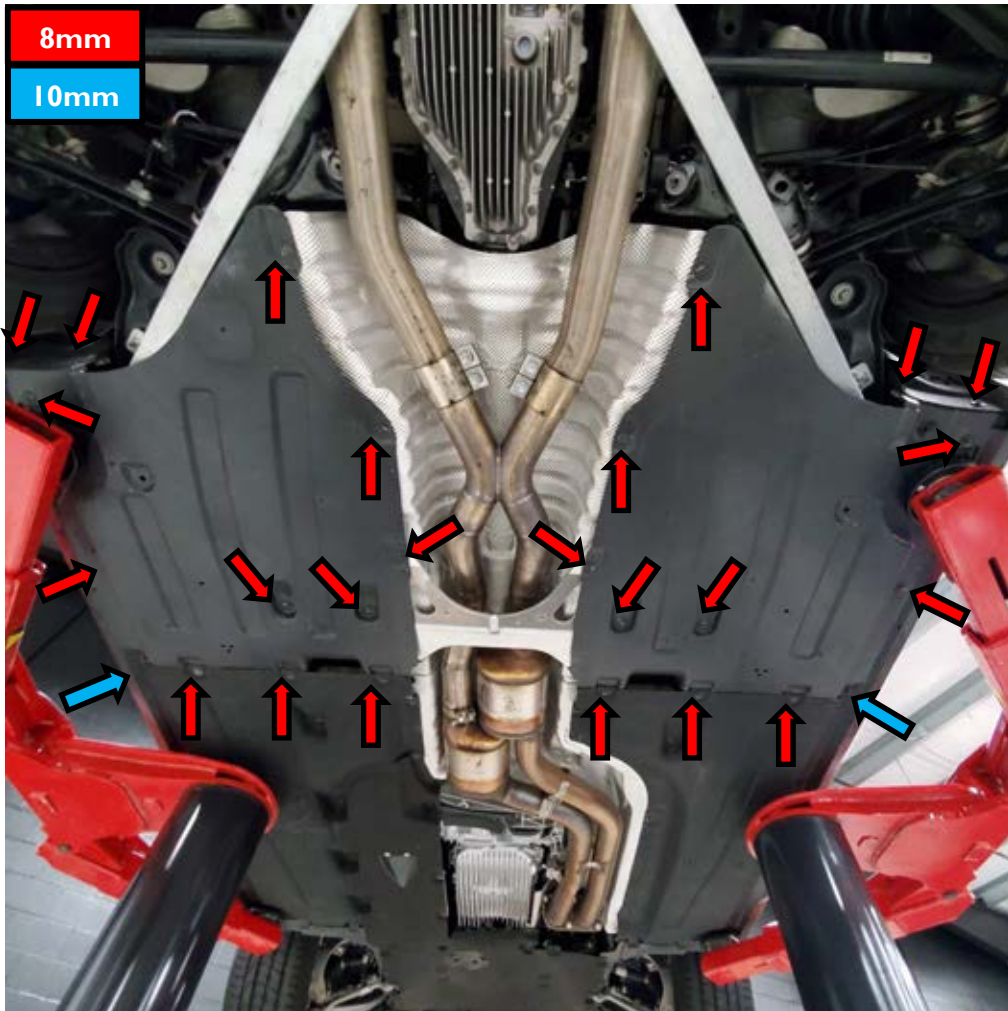
Parts List:	2
Removing Covers and Braces:	3
Removal of Stock System:.....	5
Installing the Stock Hangers:	6
Exhaust Valve Assembly:	7
Installation of Inlet Pipes:.....	9
Installation of Dinan Muffler:	10
Installing the Tips:	11
Reinstall Braces and Panels:	12
Adjusting the Exhaust:.....	13

Parts List:

Quantity	Part #	Description
1	D662-0648	Rear Muffler Assembly
1	D662-0649	Inlet Pipe; Left
1	D662-0650	Inlet Pipe; Right
4	D663-0639/-0640	Exhaust Tip; Polished/Black
1	D663-0359	Hardware Kit
	Contains:	
4	D662-9237	3.00" Clamp
2	D662-9242	Torca Clamp
2	D662-9228	2.75" Accuseal Clamp
2	D662-0433	Exhaust Valve Mount
6	D671-0189	M6 Locknut; Oval
6	D671-0193	M6x20x1.0 Socket Head Bolt
6	D671-0377	M6x12x1.0 Button Head Bolt
18	M6 FLAT	M6 Flat Washer
2	M6 WAVE	M6 Wave Washer
2	D661-0031	Exhaust Valve Spring
2	D661-0032	Exhaust Valve Heat Shield
1	D662-0615	Wiring Extension Harness
1	D502151	11" Tie Strap/Black

Removing Covers and Braces:

- 1) Remove the 8mm and 10mm hardware for the plastic covers.



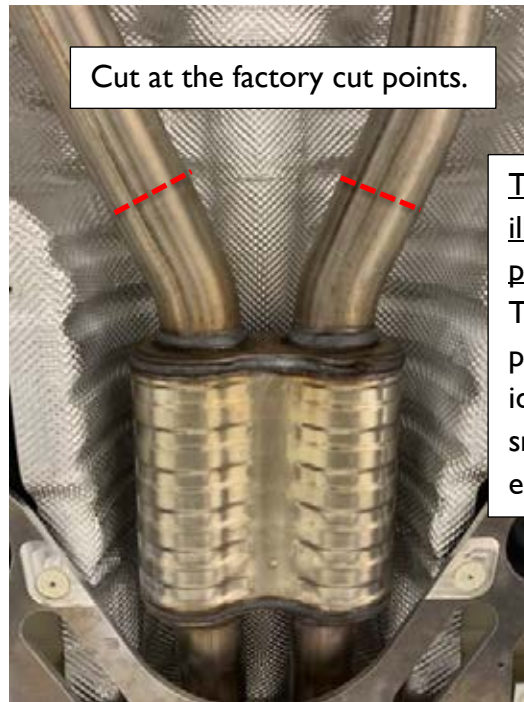
2) Remove these 6 bolts from the V-brace.



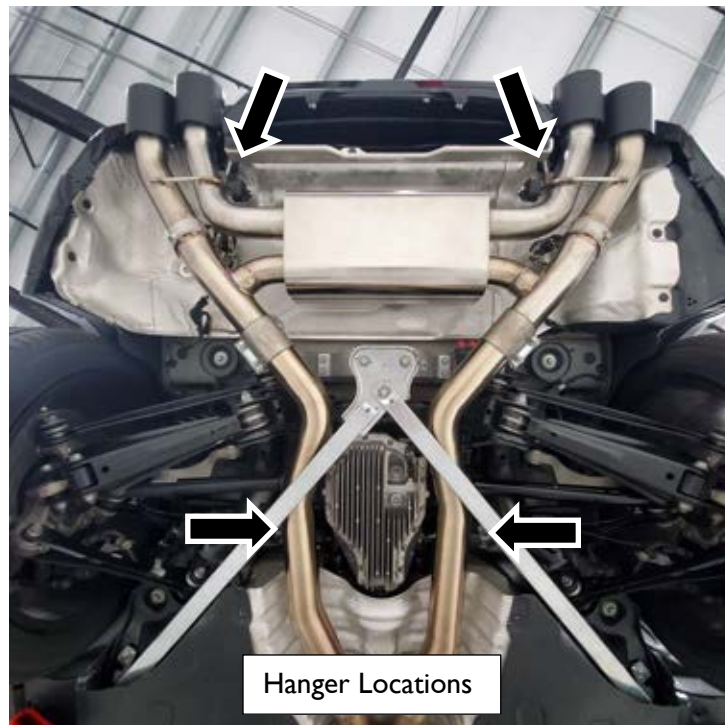
Removal of Stock System:

Support and cut the stock exhaust at the factory cut points.

- Unplug the valve motors on both sides.
- Remove the 4 nuts from the hanger mounts.
- Lower the exhaust from the car.



This photo is for illustrative purposes only.
The factory cut points are identified with small dimples on each pipe.



Installing the Stock Hangers:

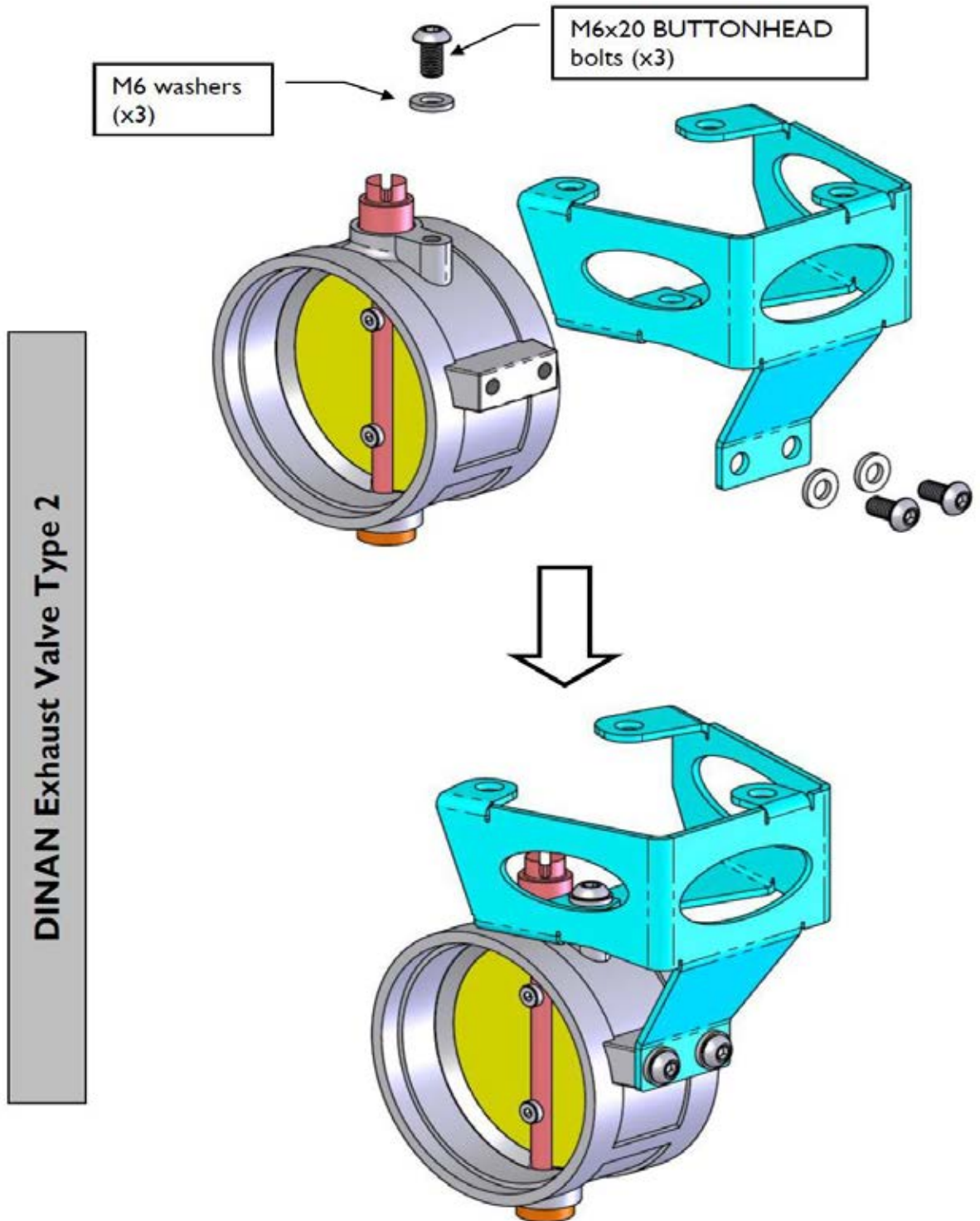
Remove the hangers from the stock muffler and inlet pipes.

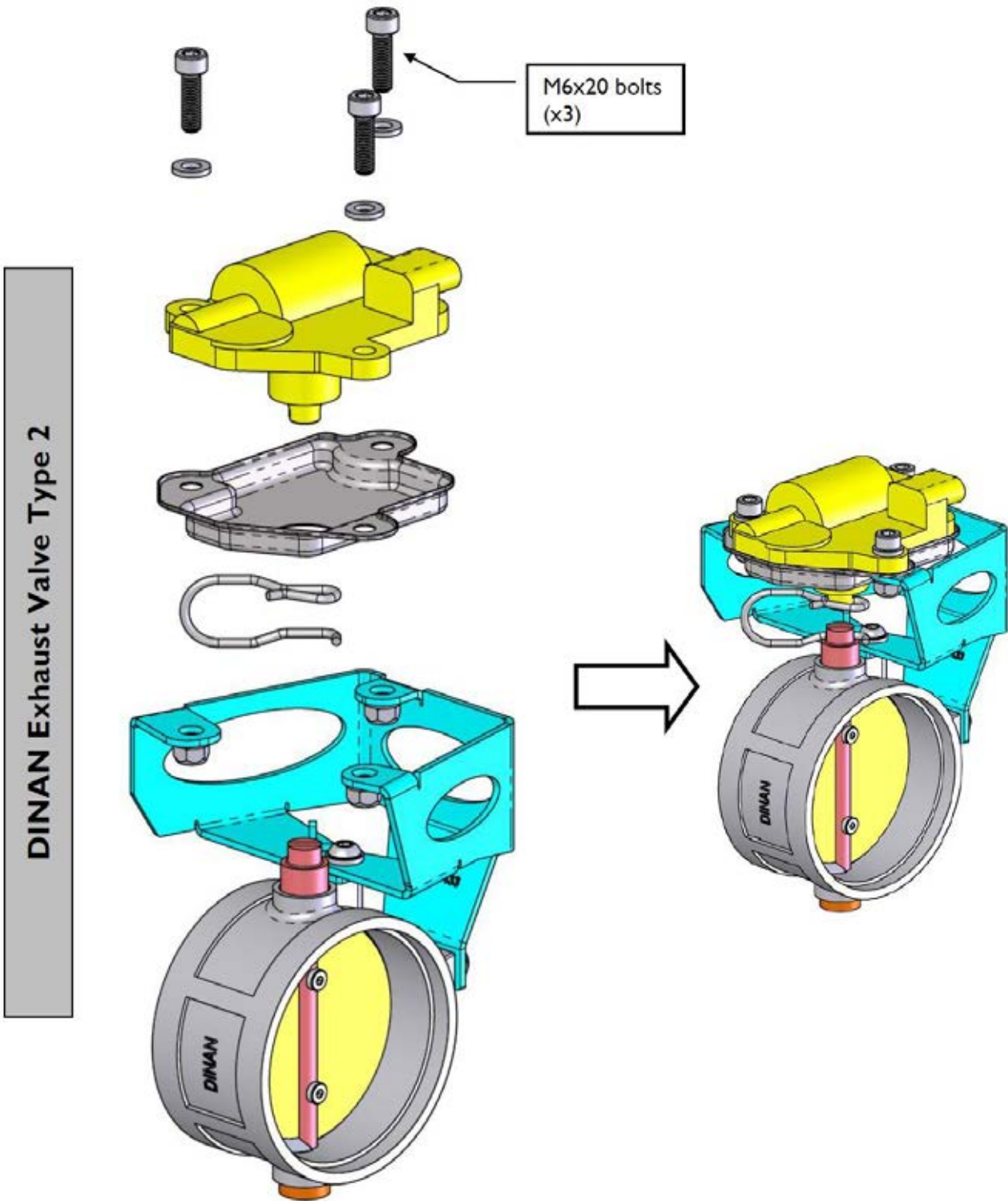
- Make note of their location and orientation.
- Install the hangers onto the Dinan muffler and inlet tubes as pictured below.
- Using a small amount of lube may help with removal.



Exhaust Valve Assembly:

- Assemble the exhaust valve bracket and actuator as shown in the figures below.

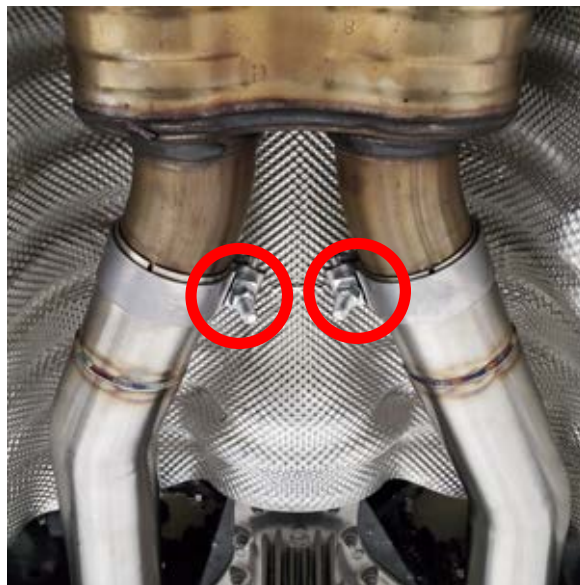




Installation of Inlet Pipes:

Install the 2 69.9mm clamps on to the inlet pipes. Make sure the bolts point inward and towards the ground as pictured below.

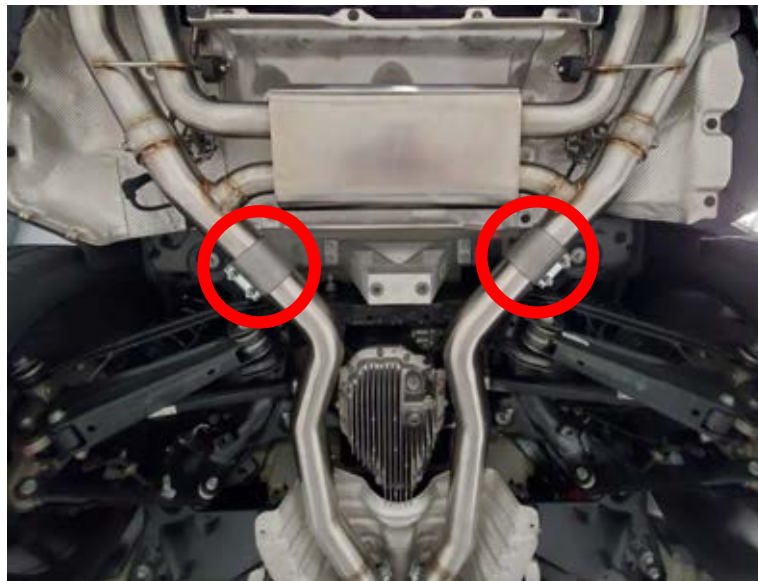
- Install the inlet pipes onto the car.
- Attach the hangers to the car.
- Loosely tighten the clamps, but do not fully torque them yet. This slack helps with adjustment and fitment later on.



Installation of Dinan Muffler:

Make sure the Dinan muffler is completely assembled with valves and hangers before installation.

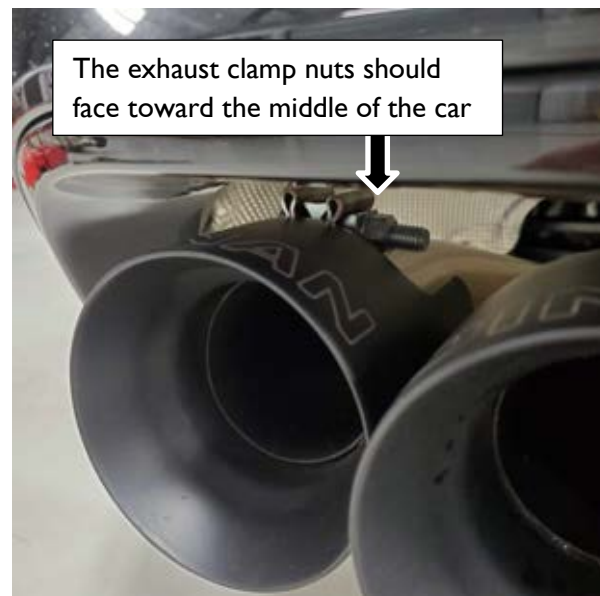
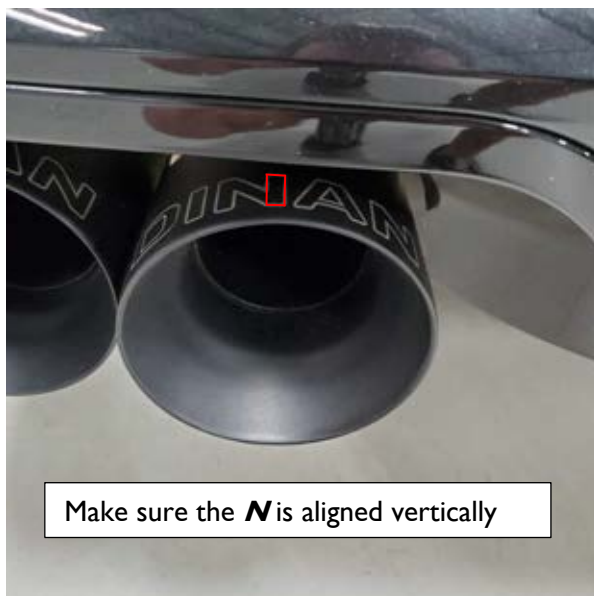
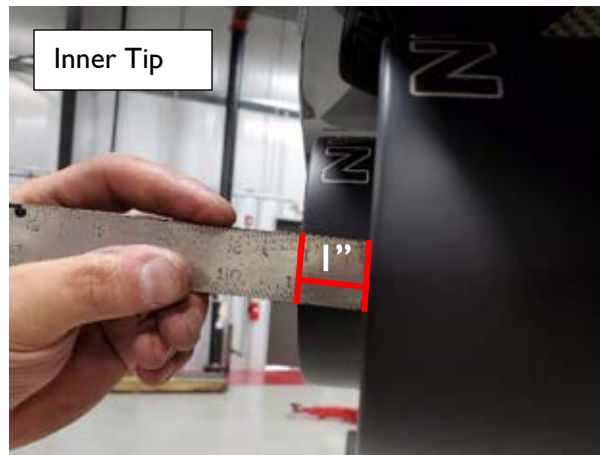
- Slide the coupler clamps on to the inlet pipes, making sure the nuts are facing towards the outside of the car as pictured below.
- Lift the muffler into place.
- Attach the hangers to the car.
- Slide the coupler clamps onto the muffler inlet tubes.
- Loosely tighten the clamps.



Installing the Tips:

Make sure the clamp nuts are facing toward the middle of the car as pictured below before installation..

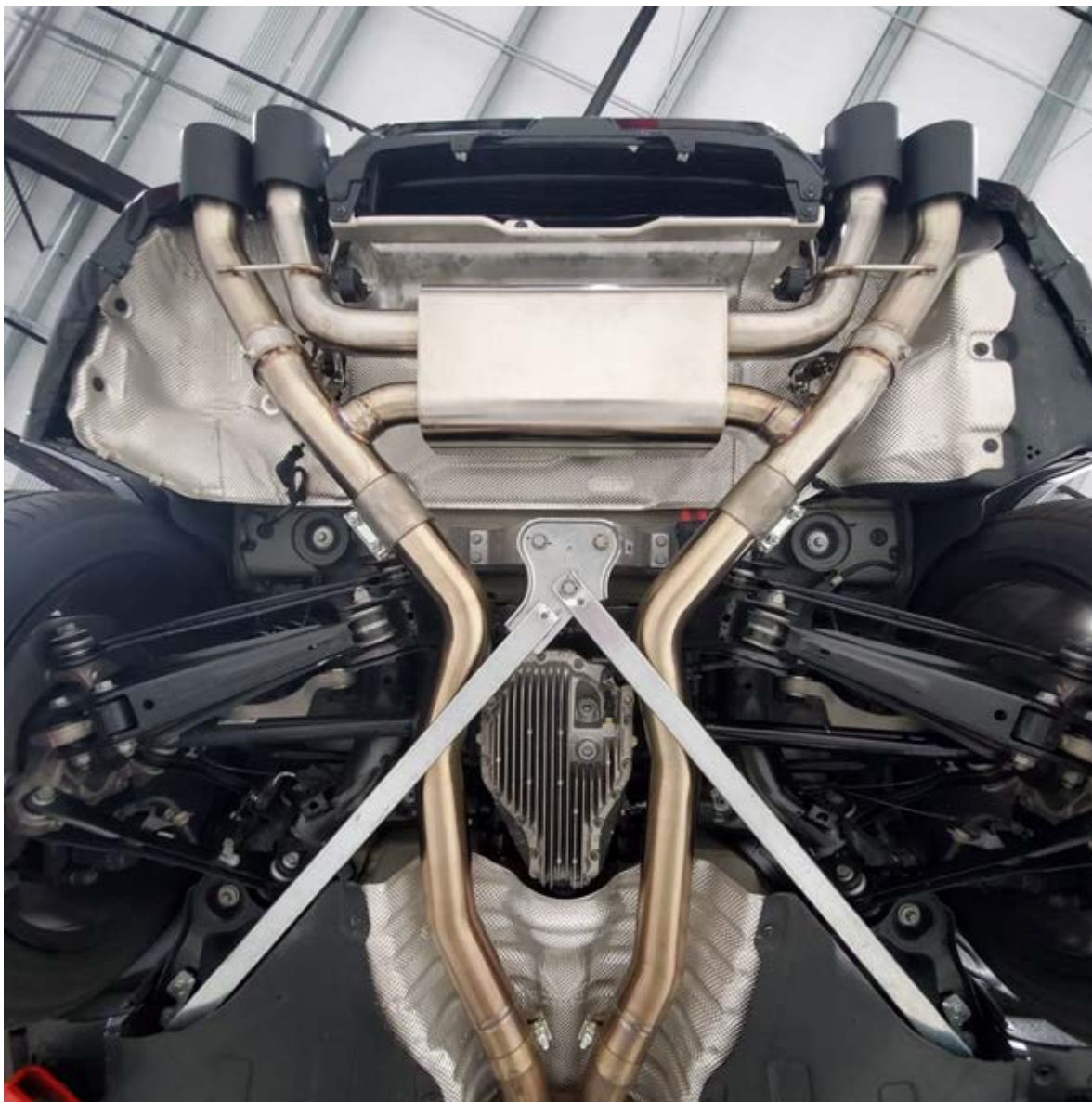
- Install the outer tips first.
- Set the outer edge of the tips about 3/4" inside the bumper as pictured below.
- Make sure the **N** of the logo aligned as shown in the photo below and tighten the clamp.
- Install the inner tips offset 1" from the outer tip edge as pictured below.
- Make sure the **N** of the logo aligned as shown in the photo below and tighten the clamp.
- Torque the exhaust tip clamps.
 - Torque Specification: Exhaust Tip Clamp - 45 ft-lbs



Reinstall Braces and Panels:

Reinstall the V-Brace and the plastic underbody panels.

- V-Brace Torque Specifications:
 - 12mm Bolts – 74 ft-lbs
 - 8mm Bolts – 20 ft-lbs
- Your exhaust system should now match the one pictured below.



Adjusting the Exhaust:

This may take a couple of tries to get it right.

- Push the muffler up and forward, then torque the clamps according to the provided specifications below.
 - Single-Bolt Inlet Pipe Clamps: 45 ft-lbs
 - Double-Bolt Muffler Clamps: 33 ft-lbs
- Examine the installation and ensure there is adequate clearance at all locations. Twist the pipes to adjust as needed.
- Pay particular attention to the areas shown below.
- Attach the extension harness to the driver's side exhaust valve plug and plug in both motors. Secure the extension harness out of the way with the provided zip-tie as shown below.

