



Thank you for being selective enough to choose a Dinan Performance Exhaust System. The Dinan Engineering Team has spent numerous hours developing this product to assure that you will receive increased performance, enhanced durability, and an aesthetic design. This system was developed for you to enjoy for many years. Ease of installation and maintenance are essential and were considered throughout the design process.

Before installation, familiarize yourself with these instructions. They will guide you throughout the installation and modification process. Before proceeding with the installation, confirm that you possess the required skills and tools. If not, please arrange for a qualified repair facility to perform the installation.

If you have any difficulties during the installation, or if these instructions are not clear to you, please call Dinan's Technical Support Staff at (800) 341-5480.

Again, thank you for choosing Dinan. Enjoy.

Installation Instructions

D660-0091(-BLK)

G20 330i & xDrive

G22 430i & xDrive Coupe

AXLE BACK EXHAUST SYSTEM

Document Revision: A

Release Date: 07/26/2022

Table of Contents

PARTS LIST	2
REMOVAL OF STOCK SYSTEM	3
VALVE-ACTUATOR INSTALLATION	6
DINAN EXHAUST INSTALLATION.....	8
Exhaust Adjustment.....	12
Clamp Torque Settings.....	12

PARTS LIST

Box Contents

Dinan Part Number	Description	QTY
D662-0667	Assy, Inlet Tube	1
D662-0668	Assy, Rear Muffler	1
D663-0363	Hardware Kit	1
D663-0573 OR	Exhaust Tips, Polished OR	2
D663-0574	Exhaust Tips, Black	2

Kit Contents

Dinan Part Number	Description	QTY
18 30 7 560 782	Exhaust Clamp; 85MM	1
MC350BS	3.50 Stainless Band Clamp	1
D662-0433	Valve Mount	1
D671-0189	M6 Locknut, Oval	3
D671-0193	M6x20 Socket Head Cap Screw	3
D671-0377	M6x12 Button Head Screw	2
D671-0378	M6x16 Button Head Screw	1
D662-0665	D76 limiter	1
M6 FLAT	M6 flat washer	9
M6 WAVE	M6 wave washer	3
D662-9248	80 mm band clamp	2

REMOVAL OF STOCK SYSTEM



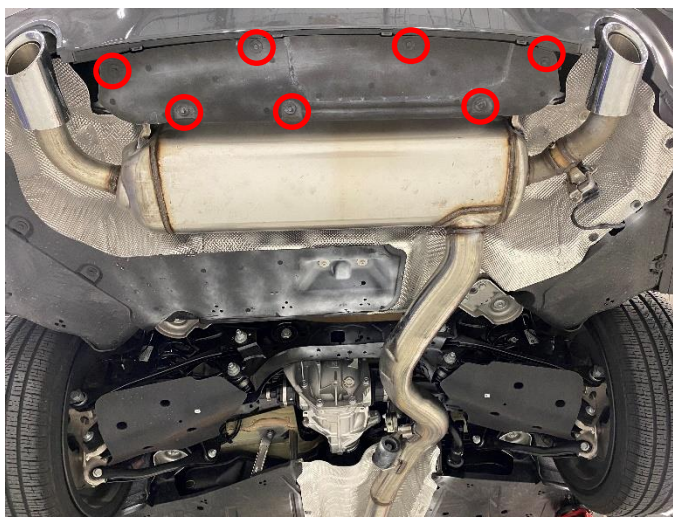
STEP 1:

- Locate the separation point. This point will be marked by a punch mark in the pipe (red circle).
- Support the rear muffler from falling.
- Cut through exhaust pipes at marked point with a suitable tool.
- Ensure the cuts are perpendicular to the pipes.



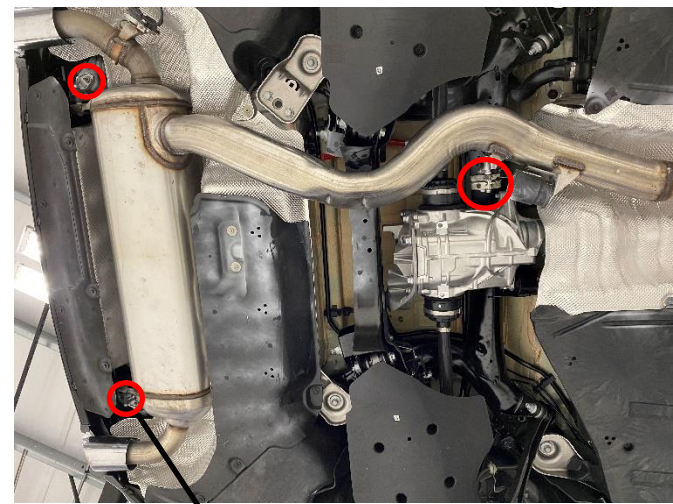
STEP 2:

- Disconnect the exhaust valve motor on the driver side of the car.



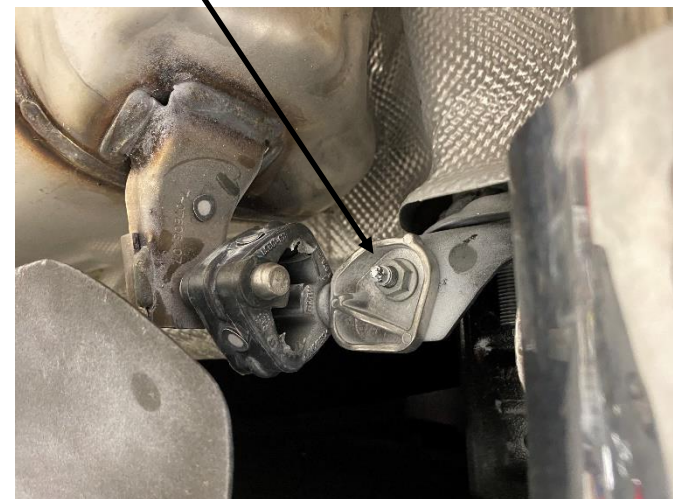
STEP 3:

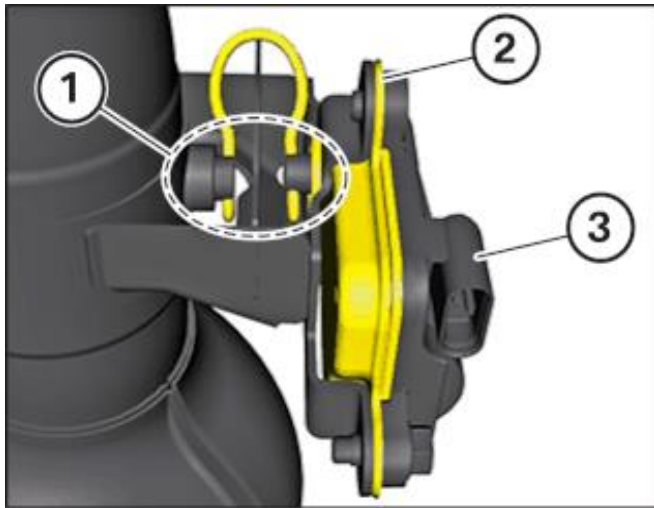
- To aid access to the exhaust tip clamps, remove the (7x) bolts retaining the rear plastic panel.



STEP 4:

- Use a jack to secure the rear muffler from falling.
- Loosen and remove the nuts (3x) at the rubber hanger mount locations as shown.
- Remove the nuts (3x) and carefully lower the rear silencer section.



**STEP 5:**

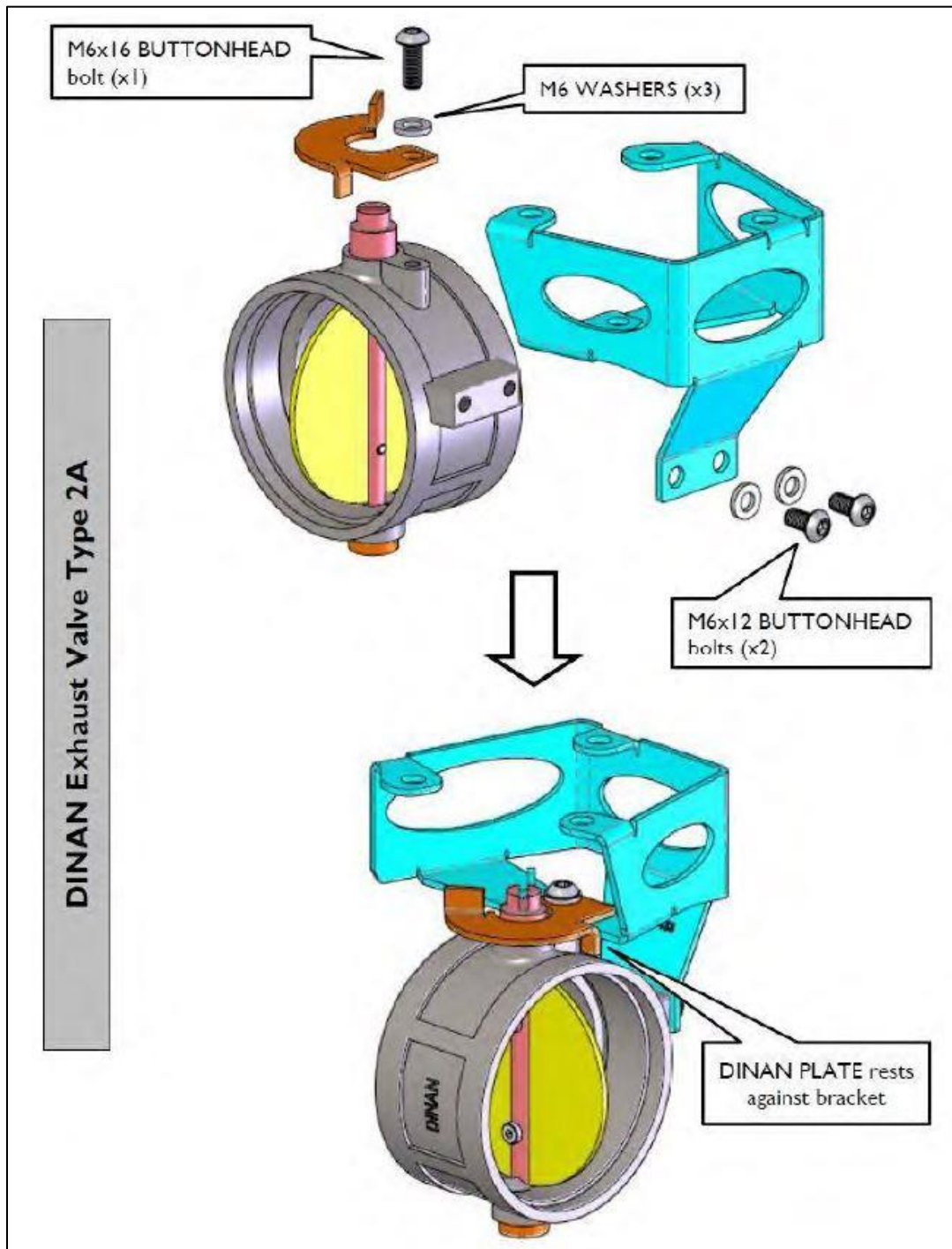
- Loosen and remove the screws holding on the actuator motor
- Remove the spring (1), actuator heat shield (2) and actuator motor (3) from silencer
- These parts will be reused.

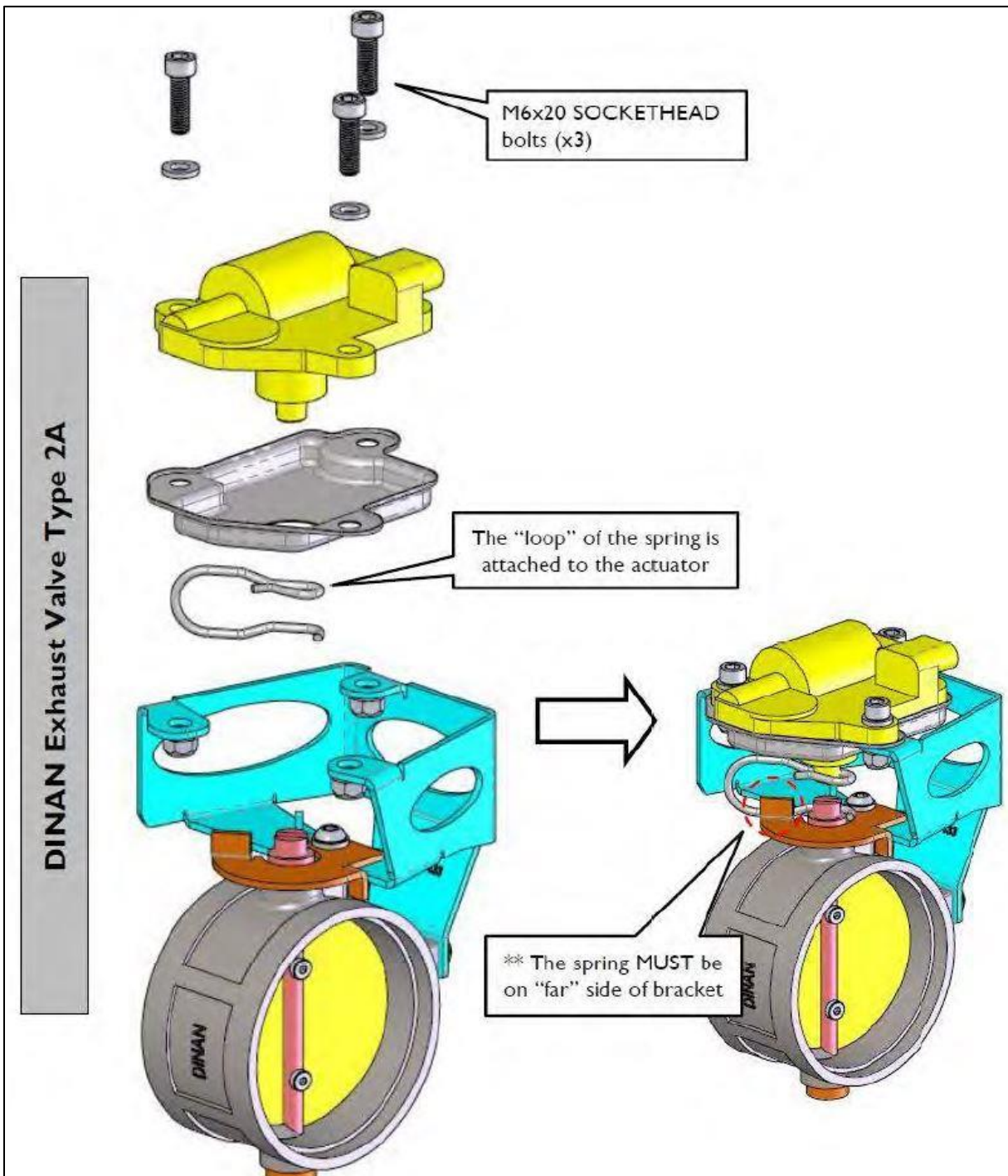
**STEP 6:**

- Remove the (3x) rubber hanger mounts from the stock muffler.
- It is recommended that each one is immediately transferred to the Dinan exhaust system to ensure proper location and orientation.

VALVE-ACTUATOR INSTALLATION

Following the diagrams below, attach the actuators, brackets, and springs to the Dinan exhaust valves using the provided hardware.





DINAN EXHAUST INSTALLATION



STEP 7:

- Install the previously removed rubber hanger mounts on the Dinan hangers.
- Ensure proper orientation as shown
- The bolt holes on both rear rubber hangers will face the exhaust tips.

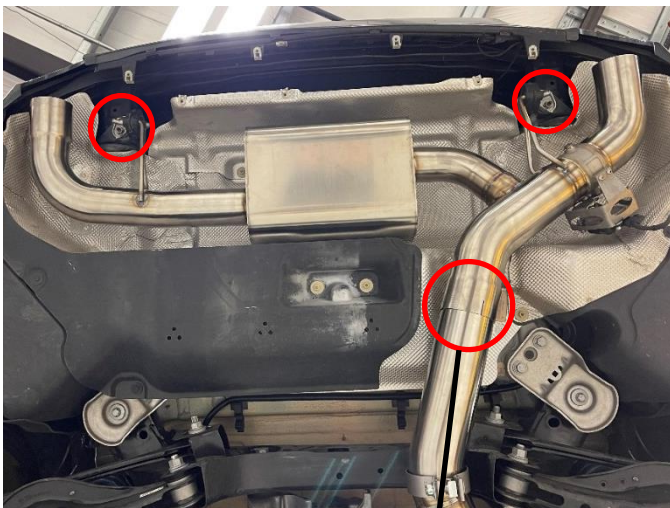


STEP 8:

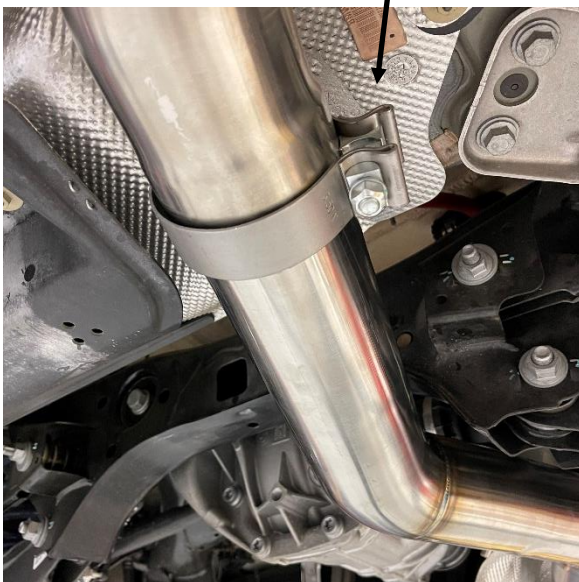
- Slide the 85 mm clamp onto the Dinan inlet tube.
- Align the Inlet pipe to the stock exhaust and slide the clamp forward to evenly cover both pipes
- Loosely tighten the clamp to allow for rotation. (Rotation will be needed for final adjustment of the exhaust system.)

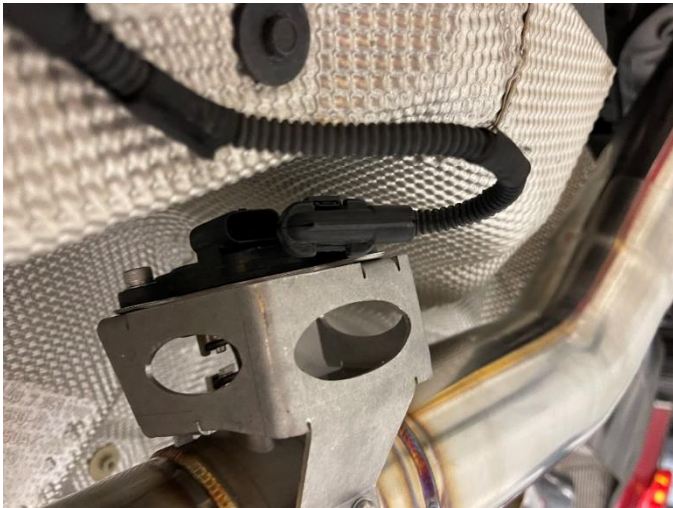
**STEP 9:**

- Slide the 3.5 in clamp over the end of the inlet pipe before installing the rear muffler.

**STEP 10:**

- Install the Dinan muffler by attaching the hangers and slipping inlet pipe into the rear muffler assembly.
- Properly tighten the bolts retaining the rubber hangers.
- Loosely tighten the clamp to allow for rotation.





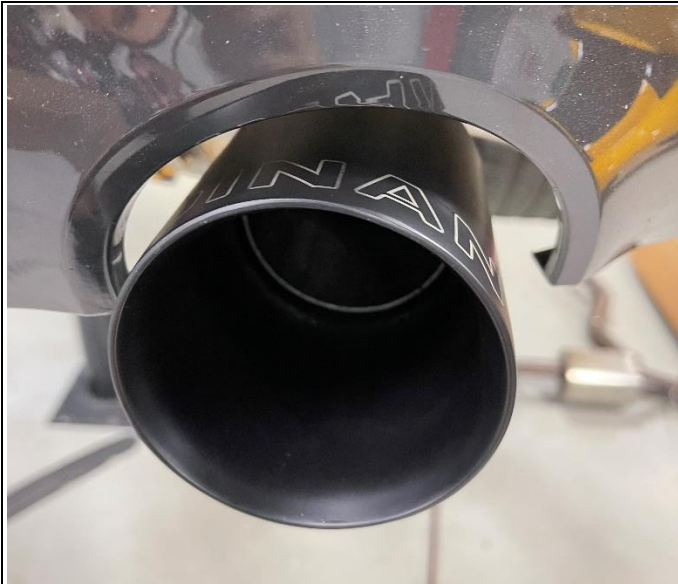
STEP 11:

- Plug in the valve motor.



STEP 12:

- Slide the 80 mm clamp onto the tip flange
 - Align the clamp bolt with the Dinan Logo. (Top side).



STEP 13:

- The tips should be clocked where the middle of the first N is centered. Line up the tips where the bumper is aligned to the tip edge.
- Once the tips are aligned, tighten the tip clamps until tips are secure and do not move.
- Reinstall the rear plastic panel.

Exhaust Adjustment

Small adjustments may be needed on the Inlet Tube in order to center the tips appropriately. The following is recommended.

- 1) Push the tips up and towards the front of the car.
- 2) Snug fit all clamps and check tip alignment.
- 3) Once the tips are even on both sides and spaced between the bumper to your liking, tighten the coupler clamps.
- 4) Ensure the valve motor is plugged into harness plug.
- 5) Ensure that the exhaust pipes are not contacting the car subframe. Adjust if necessary.

Clamp Torque Settings

All clamps require to be torqued to **45 ft-lbs**.



Installation is complete. ENJOY.